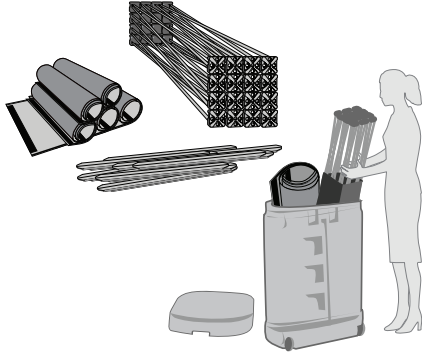


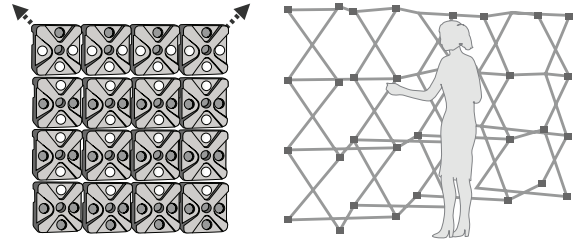
# POPUPWALL MANUAL

Designed to be possible to set up by a single person

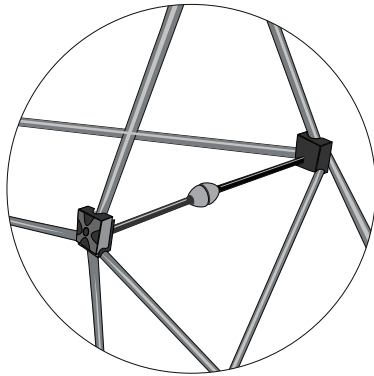
- 1** Remove all items from the trolley case



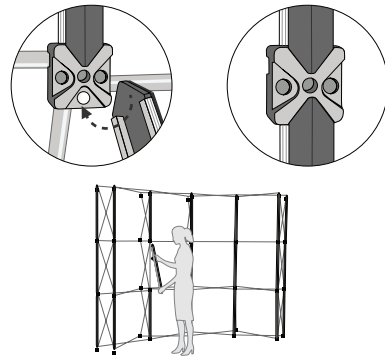
- 2** Push the frame outward until it is fully opened



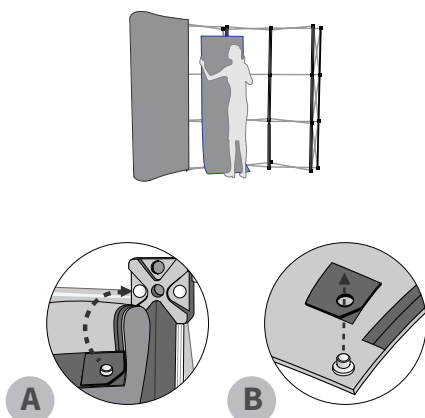
- 3** Connect the magnets on the frame



- 4** Place the magnetic strips on the frame



- 5** Place the banners on the magnets



- 4** Place the banner around the trolley (if included)

