



## STRETCH WALL MANUAL

---

---

**VISIX**

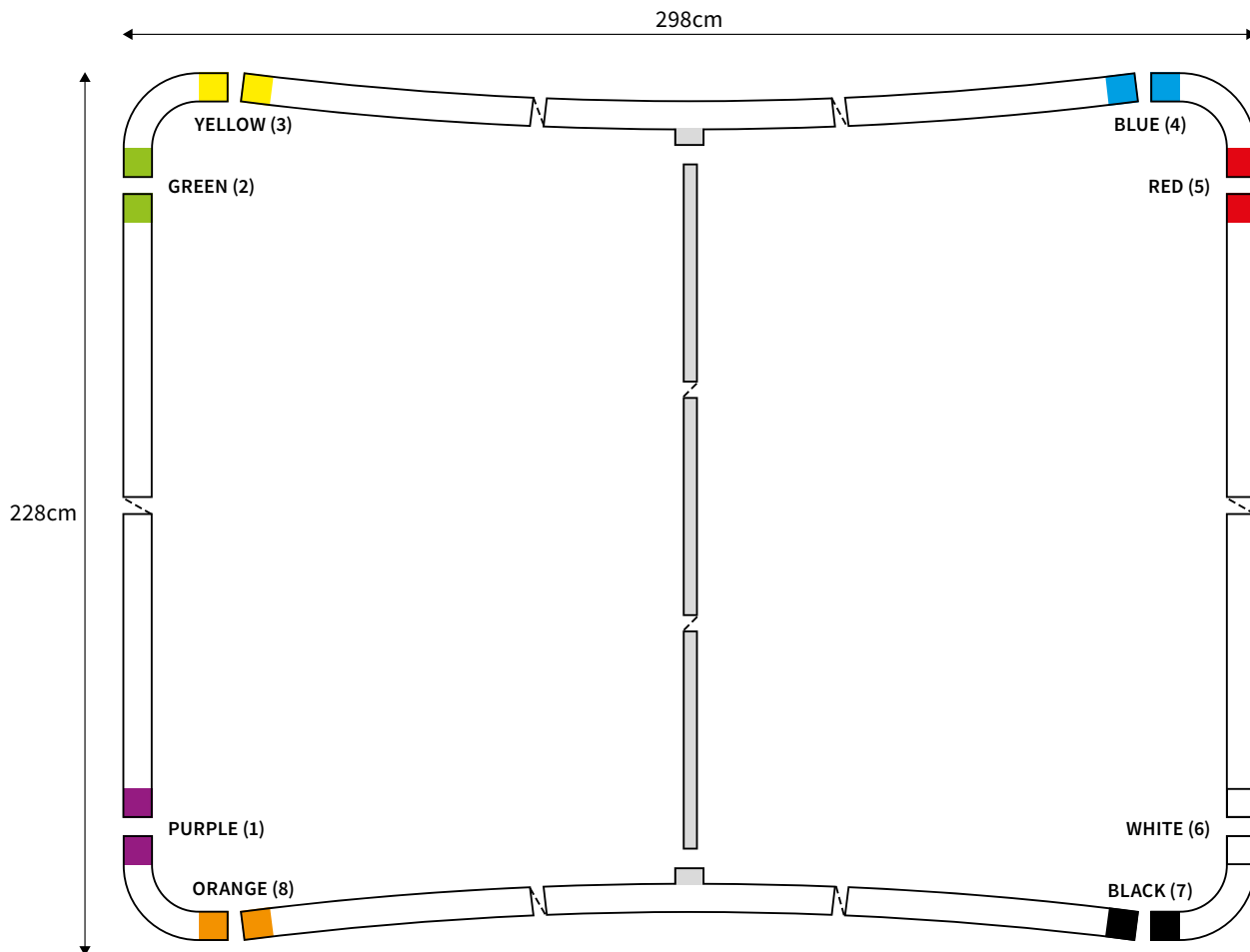
BRAND SHINERS<sup>®</sup>



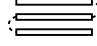

---

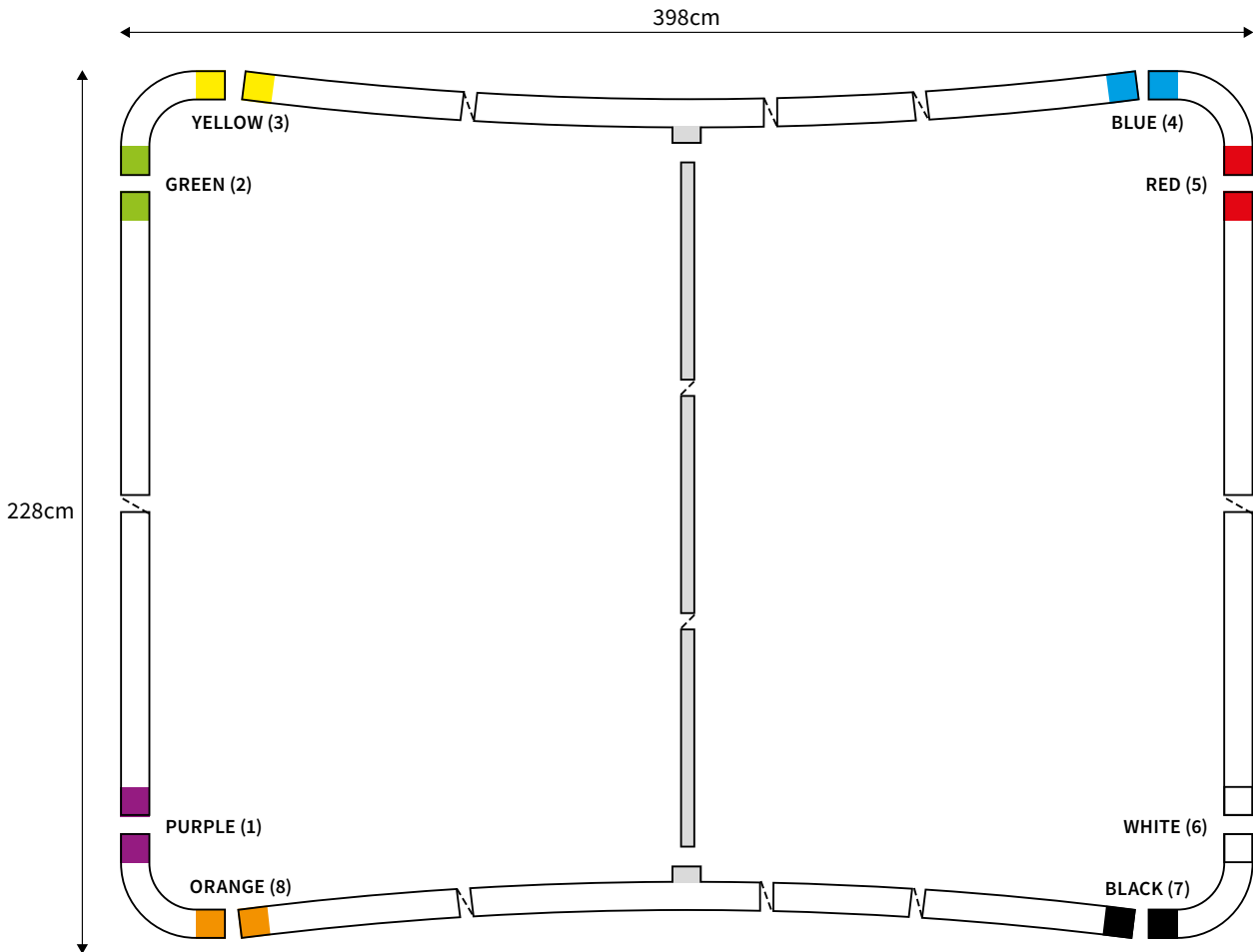
# CURVED


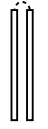

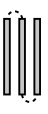


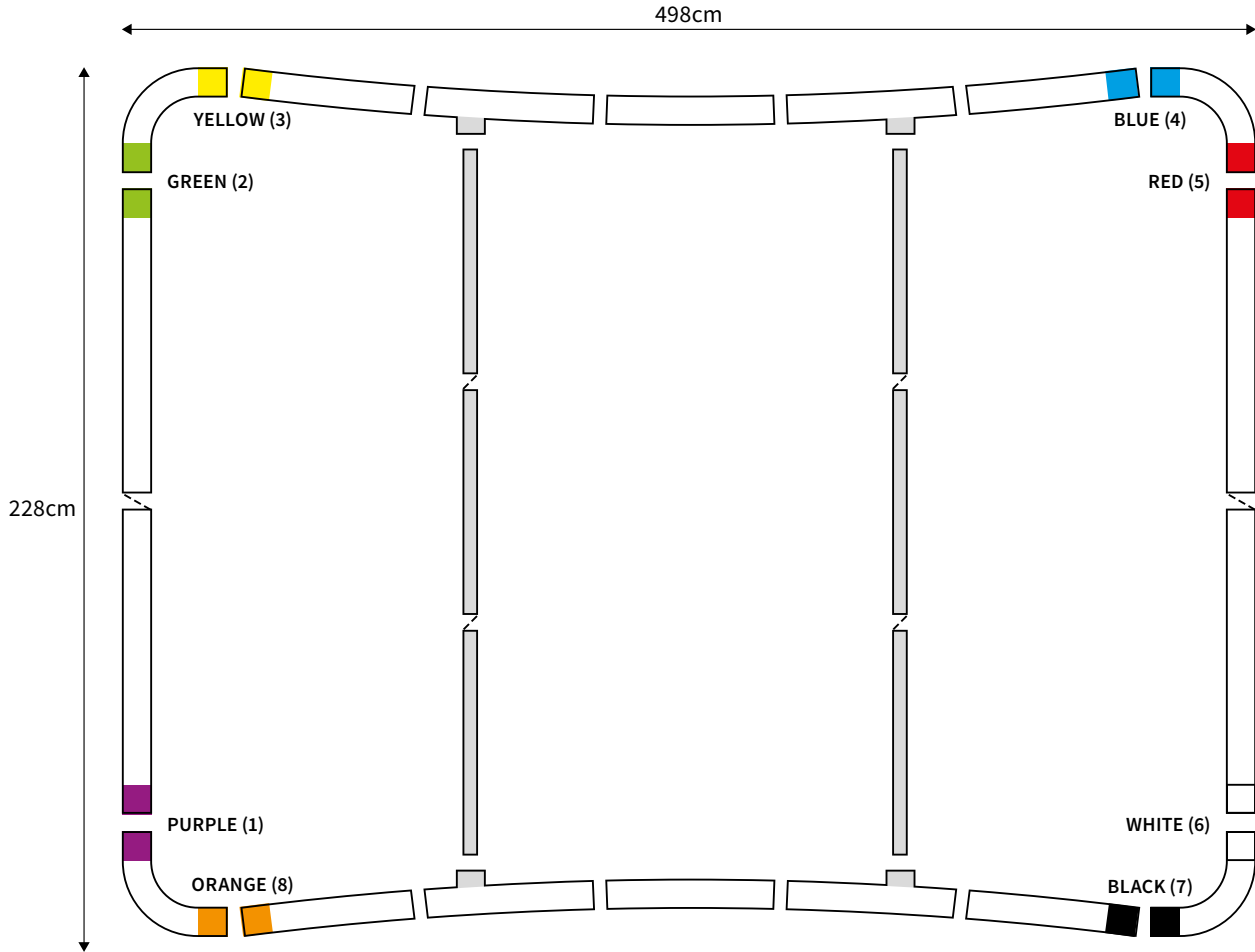
01 | 300X230CM



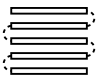
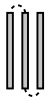


PARTS LIST					
	4x	CORNER		2x	TUBE VERTICAL ( ø 3cm )
	2x	TUBE HORIZONTAL ( ø 3cm )		1x	TUBE SUPPORT ( ø 2cm )



PARTS LIST					
	4x	CORNER		2x	TUBE VERTICAL ( ø 3cm )
	2x	TUBE HORIZONTAL ( ø 3cm )		1x	TUBE SUPPORT ( ø 2cm )



PARTS LIST					
	4x	CORNER		2x	TUBE VERTICAL ( ø 3cm )
	2x	TUBE HORIZONTAL ( ø 3cm )		2x	TUBE SUPPORT ( ø 2cm )

# VISIX

BRAND SHINERS®

© | 2021 VISIX BRAND SHINERS - ALL RIGHTS RESERVED

**VISIX BELGIUM**

ROESELARE

INFO@VISIX.BE

T +32 51 23 88 10

ONLEDEGOEDSTRAAT 74 B1

BE-8800 ROESELARE

VISIX.BE

**VISIX BELGIUM**

LOKEREN

INFO@VISIX.BE

T +32 9 337 71 50

STOKKELAAR 3

BE-9160 LOKEREN

VISIX.BE